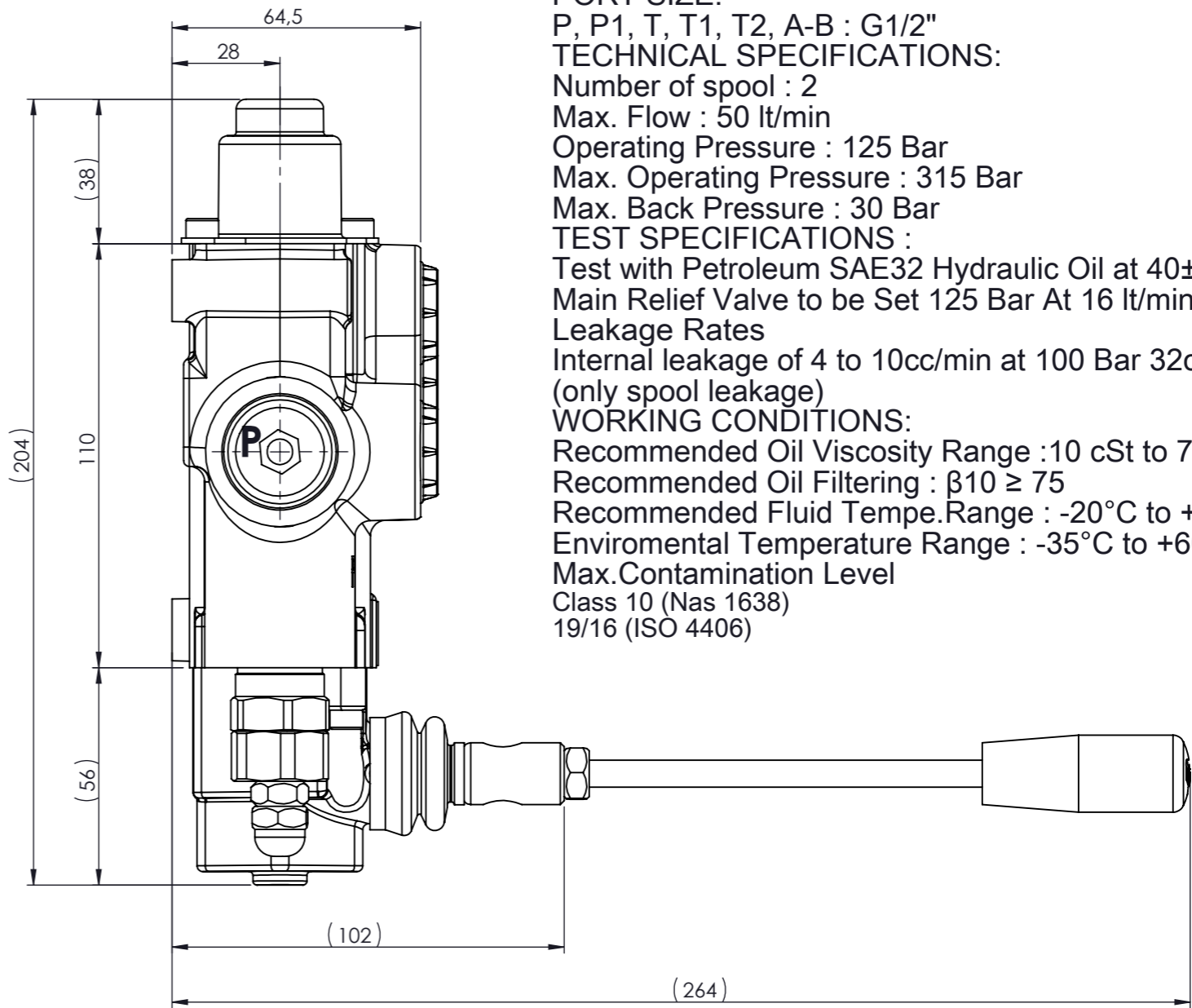
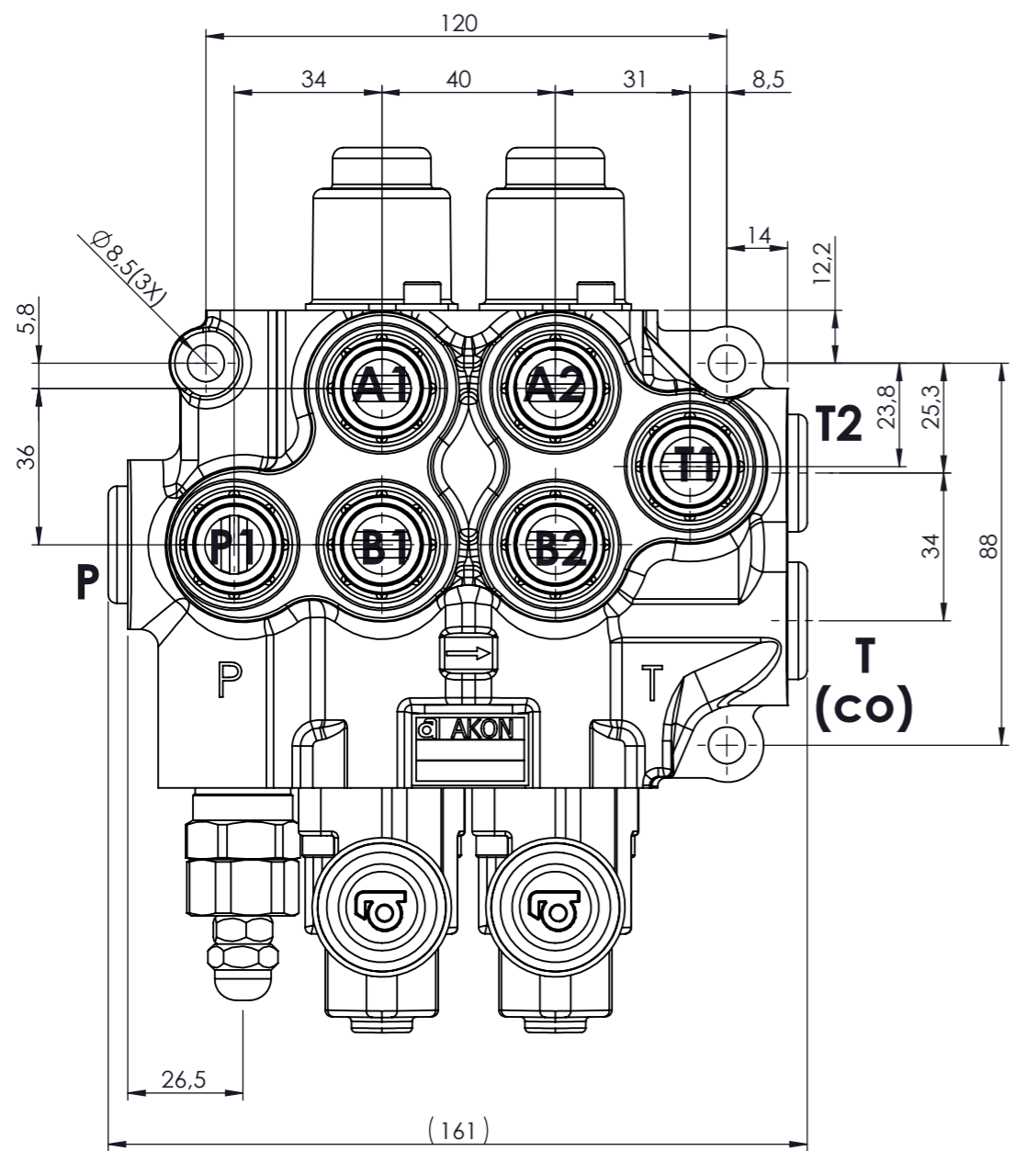


Baskı	Değişiklik Form no Change Form no	Değişikler / Change Record	Tarih/Date	Değiştiren Amending	Onay Approve
A00	-	YENİ YAYIN	25.04.2014	Z.Ö.	U.Y.

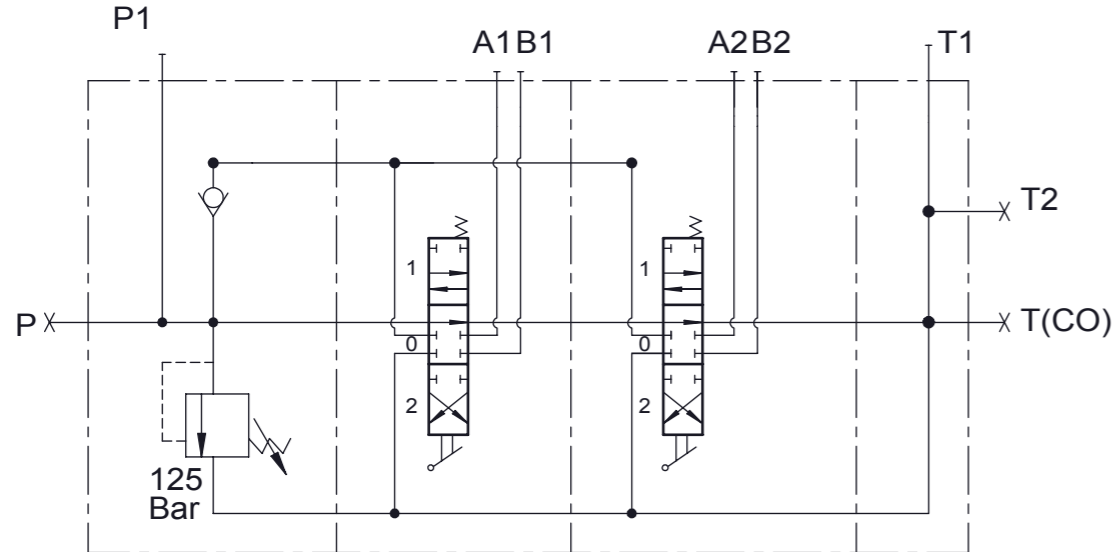


PORT SIZE:
P, P1, T, T1, T2, A-B : G1/2"

TECHNICAL SPECIFICATIONS:
Number of spool : 2
Max. Flow : 50 lt/min
Operating Pressure : 125 Bar
Max. Operating Pressure : 315 Bar
Max. Back Pressure : 30 Bar

TEST SPECIFICATIONS :
Test with Petroleum SAE32 Hydraulic Oil at 40±2°C
Main Relief Valve to be Set 125 Bar At 16 lt/min
Leakage Rates
Internal leakage of 4 to 10cc/min at 100 Bar 32cSt 40°C
(only spool leakage)

WORKING CONDITIONS:
Recommended Oil Viscosity Range : 10 cSt to 75 cSt
Recommended Oil Filtering : β10 ≥ 75
Recommended Fluid Tempe.Range : -20°C to +80°C
Enviromental Temperature Range : -35°C to +60°C
Max.Contamination Level
Class 10 (Nas 1638)
19/16 (ISO 4406)



**VALF AMV502B-R(125)
/SC1ST1
/SC1ST1**

		Notlar/Notes		RESİM ÜZERİNDEN ÖLÇÜ ALINMAZ/DONT SCALE THIS DRAWING ELDE DEĞİŞİKLİK YAPILMAZ ALL CHANGES MUST BE DONE ON THE CAD SYSTEM		
		Tarih/Date	Imza/Sign	Ölçek/Scale	Yüzey Koruma Surface Protection	Montaj No Assembly No
Çizen Drawn By	Z.Ö.	25.04.2014		Malzeme Material	-	
Kontrol Checked By				Resim No Dwg.No	TRAMV502-0069	A3
Onay Approved By	U.Y.			Parça Adı Part Name	VALF AMV502B	Sayfa/Page 1/1
AKON HIDROLİK VALF SAN. VE TİC. A.Ş. A.O.S.B.10000 Sk.No: 22 Çiğli/İZMİR/TURKEY				Bu dokümanların tüm hakları AKON Hidrolik Valf San. ve Tic. A.Ş.'ye aittir AKON HIDROLİK VALF SAN. VE TİC. A.Ş.'nin izni olmadan kısmen veya tamamen kullanılamaz, çoğaltılamaz. 3. şahıslara verilemez. All rights of this documents are the property of AKON HYDRAULIC VALVE CO. It can not be used, copied, reproduced, made available to any third party in whole or part without written permission of AKON HYDRAULIC VALVE CO.		